

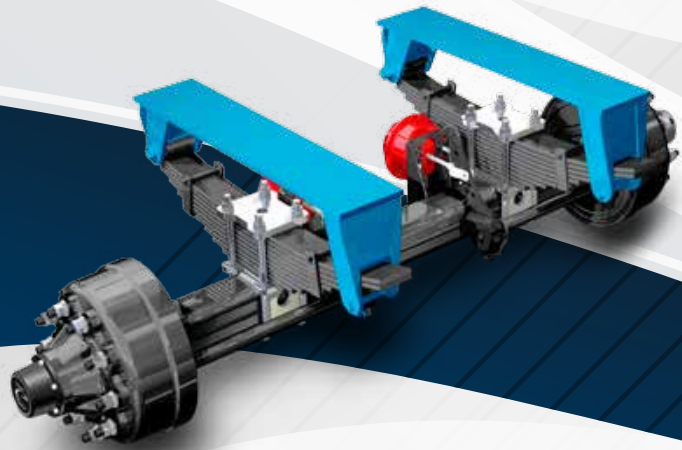
Mechanical suspensions

Half-tandem, tandem, bogie ...

HALF-TANDEM

Half-Tandem:

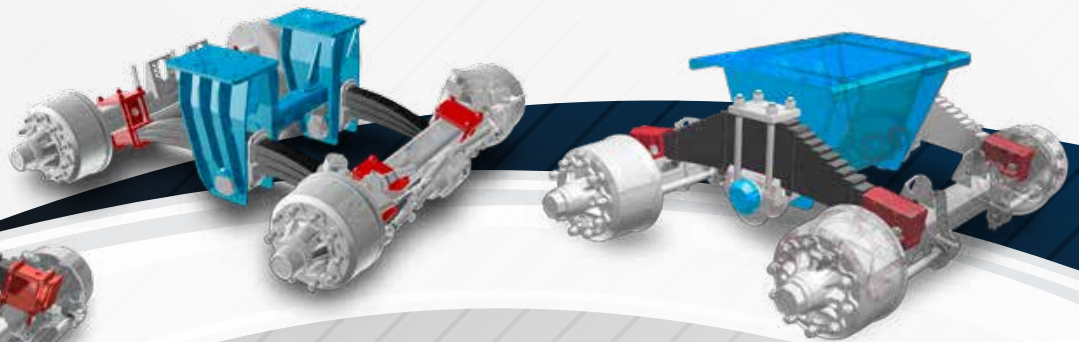
- > Load capacity: 4 000 to 13 000 Kg
- > Normal or with rods
- > Multileaves spring (bended or flat) or parabolic
- > Drilled plate or no
- > Standard assembly or underslung



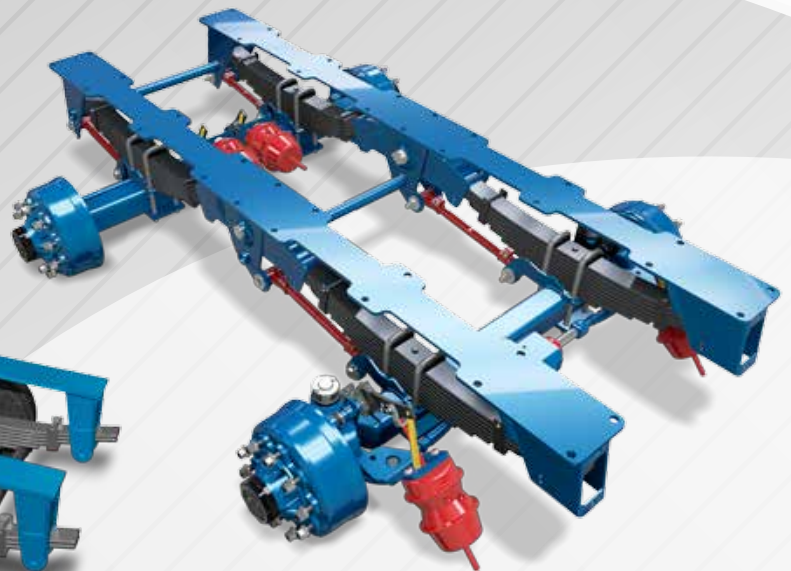
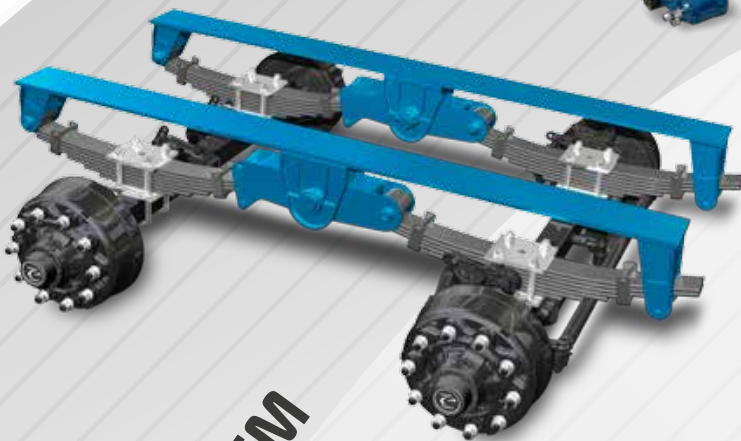
Colaert Essieux had also a large range of mechanical suspension of tandem or bogie type. All these suspensions are compatible with the Colaert Essieux range, both standard and steering axles. The personalization of suspension is complete. You can choose axles, wheel base, leaf spring, kind of assembly (standard or underslung). In more, our technical department is available to reply by the best technical solution, in the most specific requests of realization.

These suspensions are available with spring leave multileaves or parabolic, standard or underslung mounting with a square of 60 to 150mm for a capacity of 4 to 50 tons.

**“... a
capacity
of 4 to
50 tons”**



BOGIE



TANDEM

Tandem:

- > Load capacity: 10 000 to 33 000 Kg
- > Normal or with rods
- > Multileaves spring (bended or flat) or parabolic
- > Drilled plate or no
- > Standard assembly or underslung

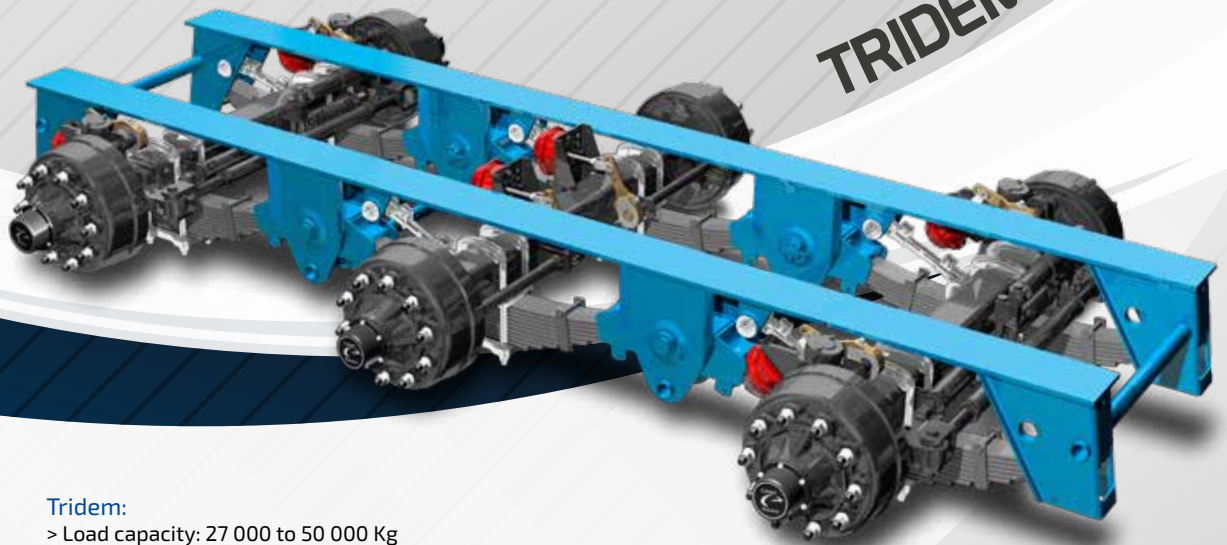


Colaert Essieux

Mechanical suspensions

... tridem, quadrem & more...

TRIDEM

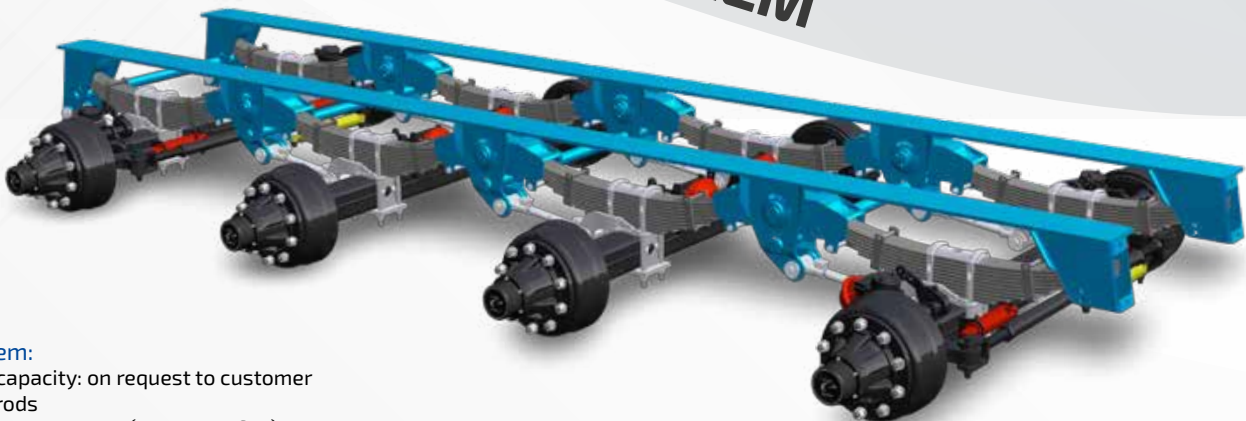


Tridem:

- > Load capacity: 27 000 to 50 000 Kg
- > With rods
- > Multileaves spring (bended or flat) or parabolic
- > Drilled plate or no
- > Standard assembly or underslung



QUADREM



Quadrem:

- > Load capacity: on request to customer
- > With rods
- > Multileaves spring (bended or flat) or parabolic
- > Drilled plate or no
- > Standard assembly or underslung



Colaert Essieux